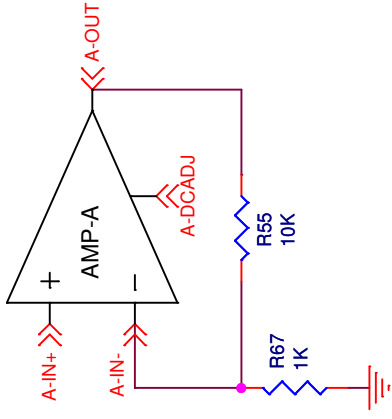
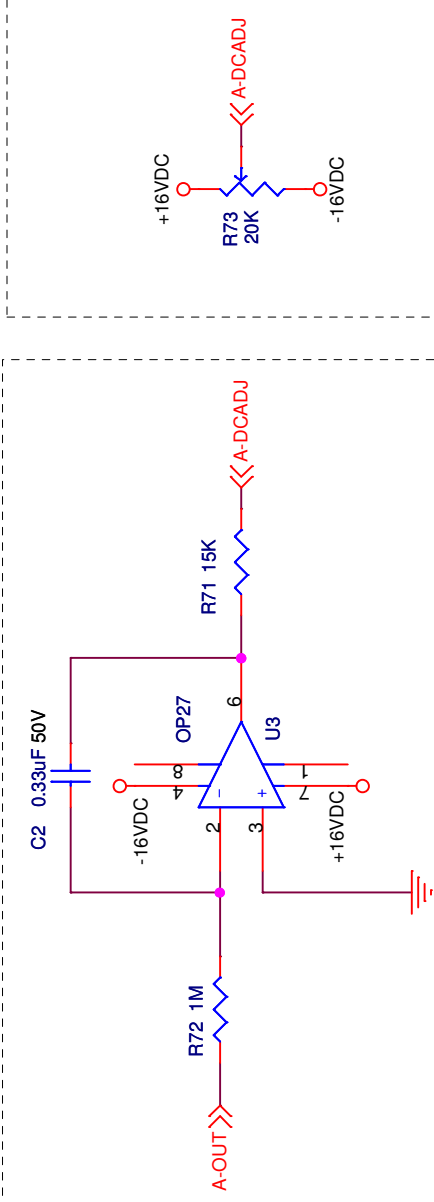


AMPLIFIER A - NEGATIVE FEEDBACK CONFIGURATION



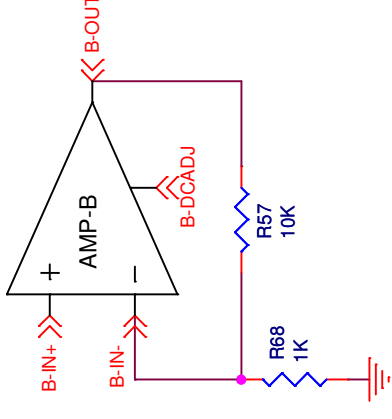
AMPLIFIER A - DC OFFSET VOLTAGE CONTROL



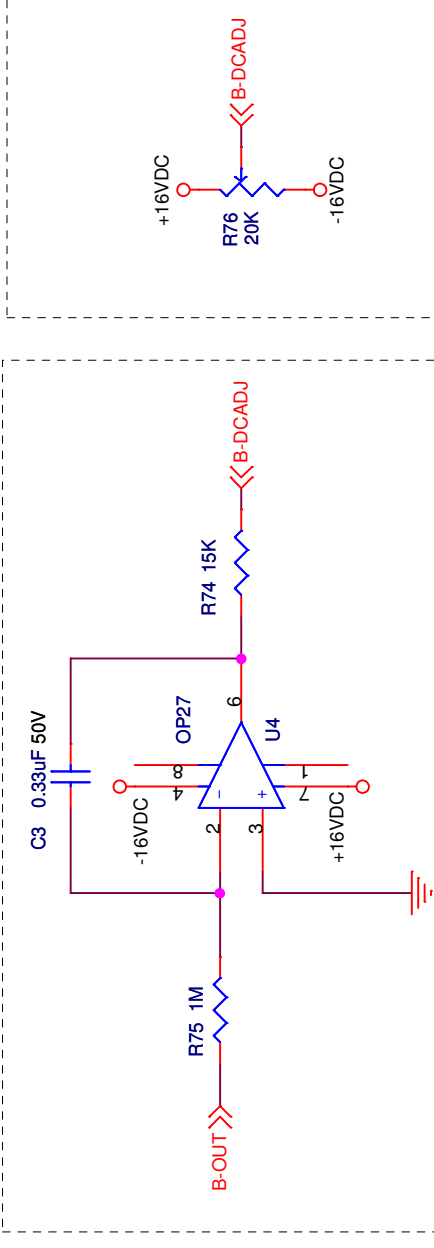
OPTION 1 - SERVO

OPTION 2 - POTENTIOMETER

AMPLIFIER B - NEGATIVE FEEDBACK CONFIGURATION



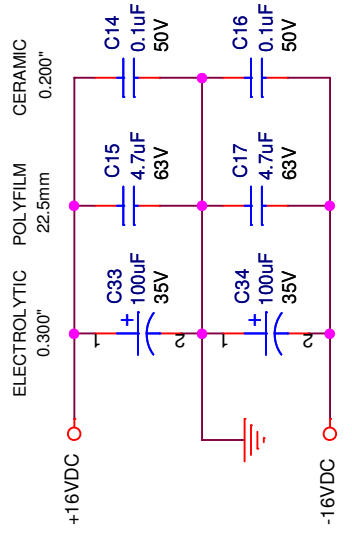
AMPLIFIER B - DC OFFSET VOLTAGE CONTROL



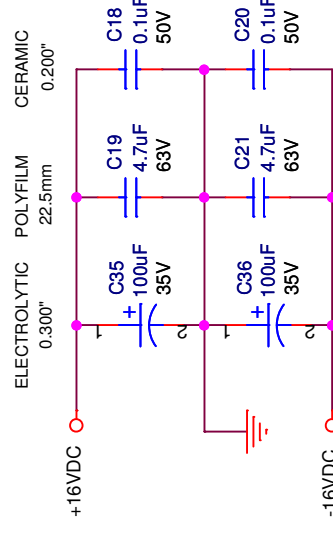
OPTION 1 - SERVO

OPTION 2 - POTENTIOMETER

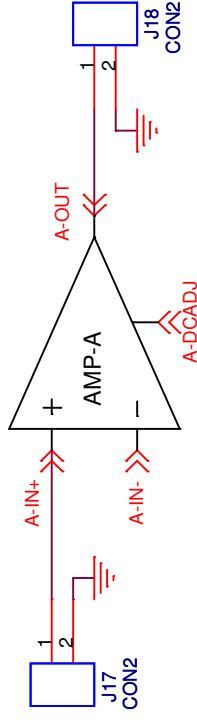
AMPLIFIER A - POWER RAIL DECOUPLING CAPS



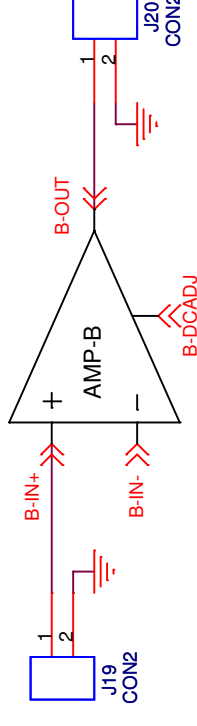
AMPLIFIER B - POWER RAIL DECOUPLING CAPS



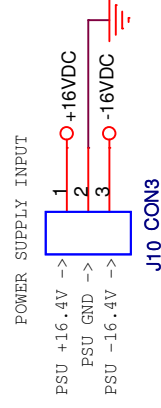
AMPLIFIER A - INPUT AND OUTPUT CONNECTIONS



AMPLIFIER B - INPUT AND OUTPUT CONNECTIONS



POWER SUPPLY INPUTS



Title		GILMORE DYNALO / DYNAMID AMPLIFIER	
Size	Document Number	Rev	
B	D.Gardner	A	
Date:	Sunday, November 14, 2004	Sheet	2 of 4