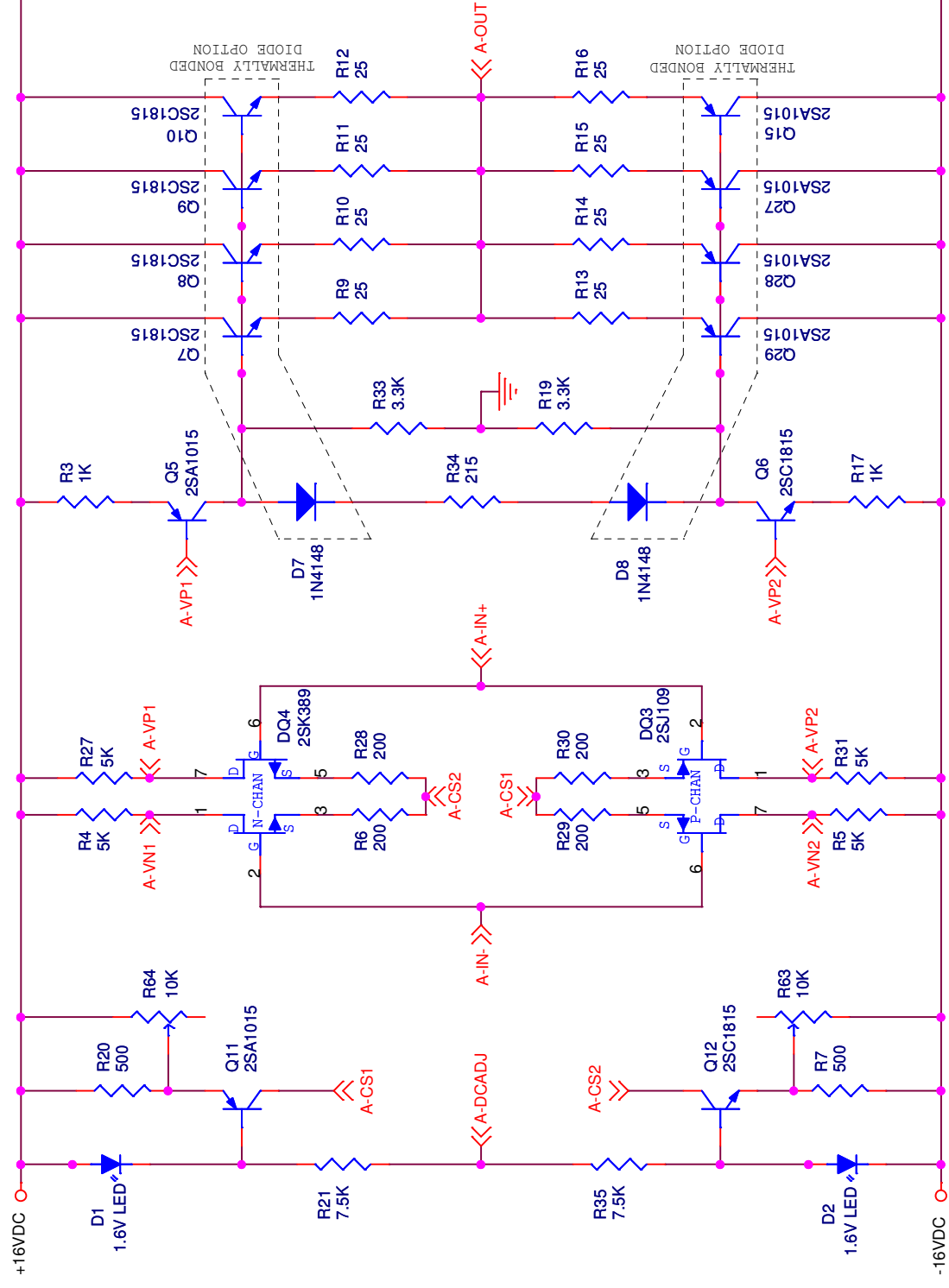
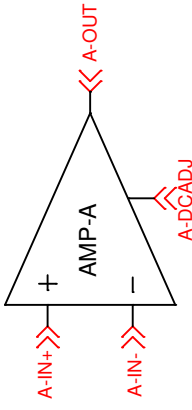


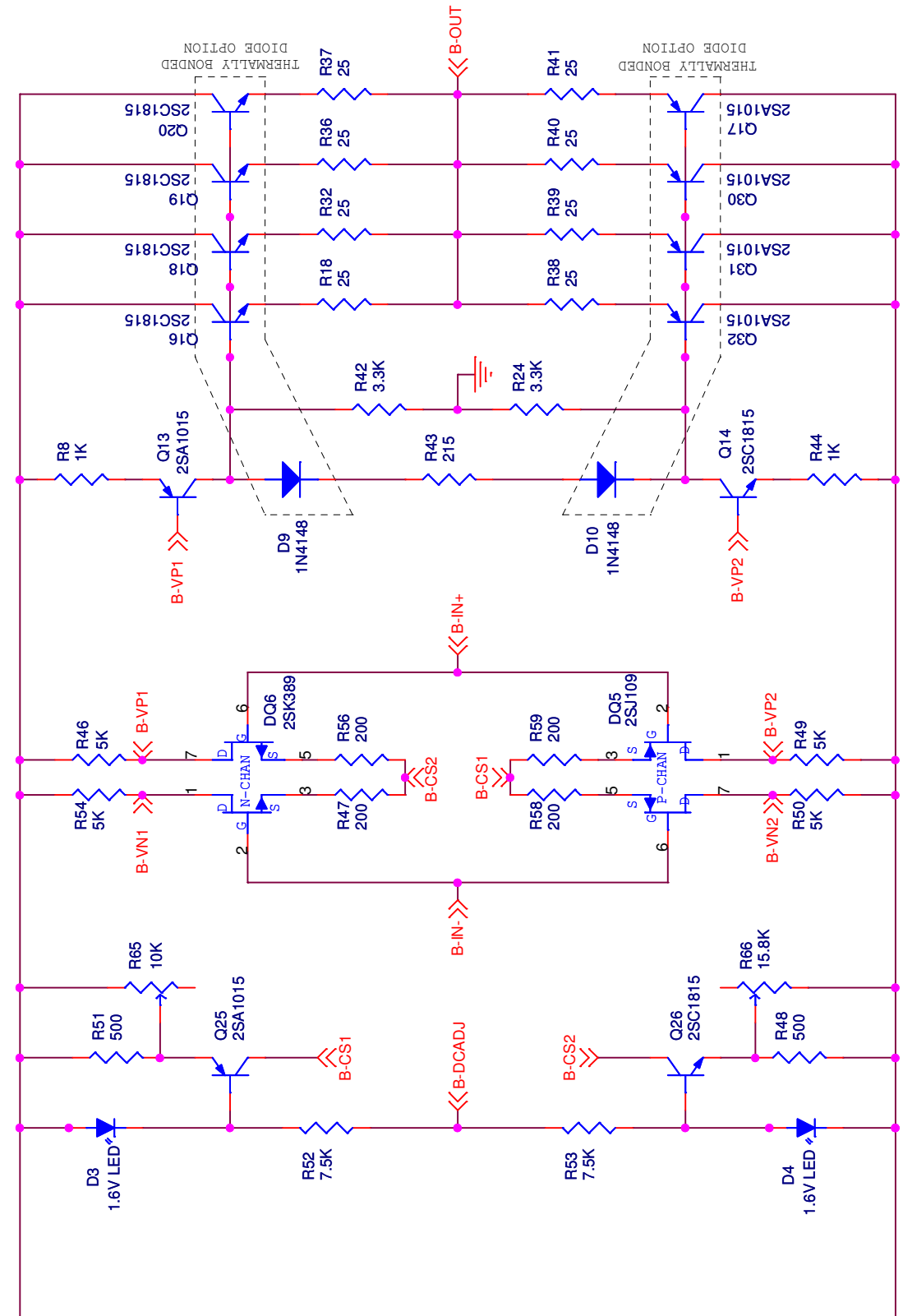
AMPLIFIER A - DETAILED CIRCUIT SCHEMATIC



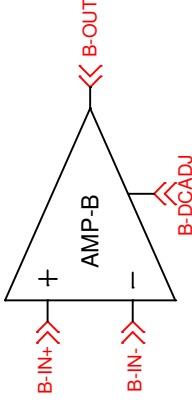
AMPLIFIER A - FUNCTIONAL EQUIVALENT SYMBOL



AMPLIFIER B - DETAILED CIRCUIT SCHEMATIC



AMPLIFIER B - FUNCTIONAL EQUIVALENT SYMBOL



Title		GILMORE DYNALO / DYNAMID AMPLIFIER	
Size	Document Number	Rev	
B	D.Gardner	A	
Date:	Saturday, November 13, 2004	Sheet	1 of 4